

Pipeline Marker Systems

GAValves

Drive in marker posts, plates & fixings

GA MarkerSystems

Features:

Plastic drive in posts

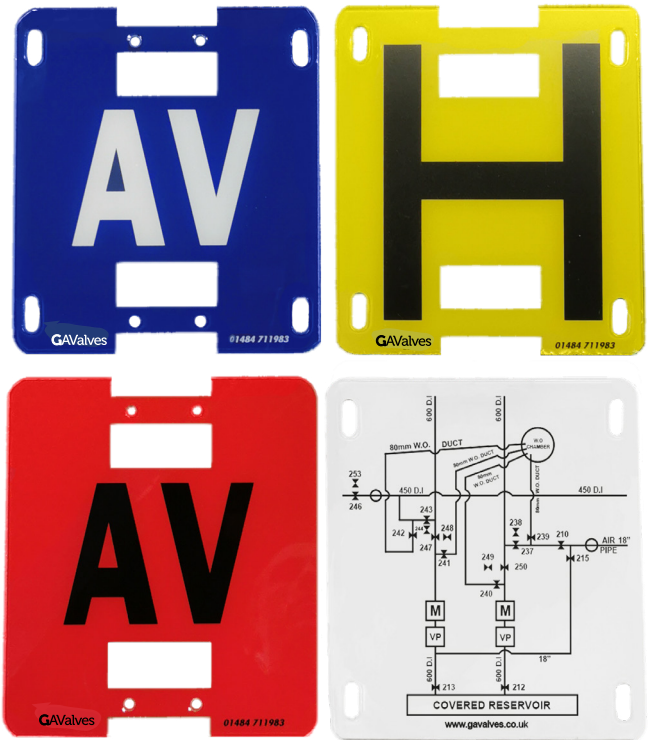
- Strong and impact resistant
- No rust, rot or corrosion, unaffected by temperature
- Life expectancy 15 - 20 years
- Colour permeated with UV shield to prevent fading
- Industry tested & approved

Plates

- Made from 3mm thick Lexan
- Weather proof reverse printing
- Easily mounted to any hard surface or post
- Concrete & recyclable marker posts
- Concrete post will accept a single class A Hydrant Indicator Plate to
- BS 3251:1975 - Weight 24.5kg
- Fully recycleable indicator post will accept a single class A Hydrant
- Indicator Plate to BS 3251:1975 - Weight 7kg

Accessories

- lightweight easy to use rivet gun
- Soft fix rivets to protect the posts and plates
- Street furniture kit comprising of:-
- 2x stainless steel brackets
- 2x heavy duty ties
- Complete with fixings for the plate



Options:

Plastic drive in posts

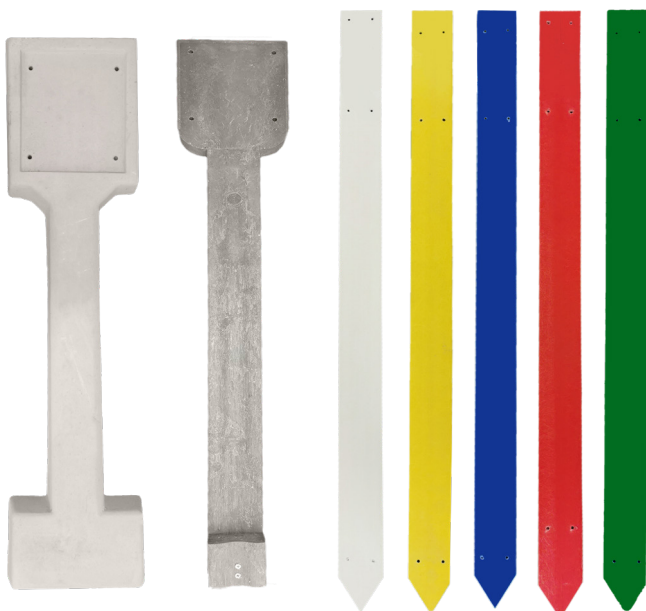
- Available in red, yellow, white, blue and green
- 42" (1050mm) or 60" (1500mm) long
- Un-drilled or drilled for plates or decals
- Decals and plates with company logo or custom design

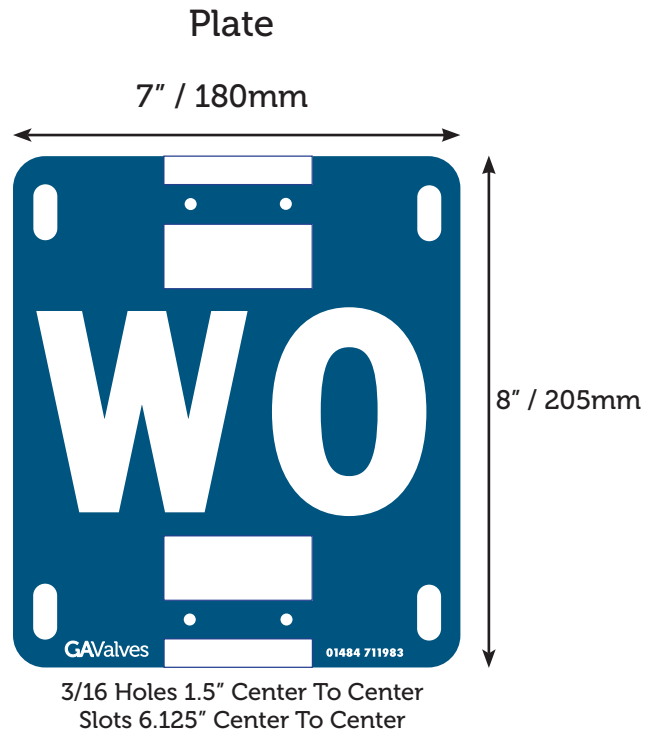
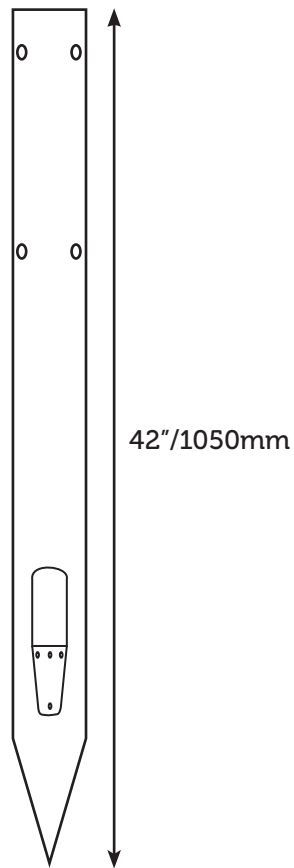
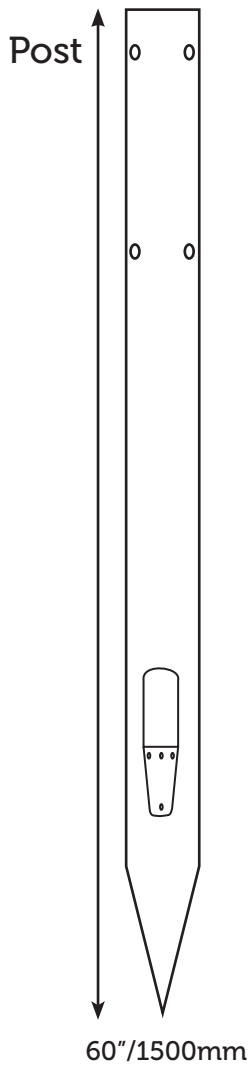
Plates

- Industry standard 180mm x 205mm (7" x 8")
- Slotted, drilled or both for mounting
- Clear text windows
- Standard and custom lettering with a wide range of colours
- Plates available to suit schematics or custom designs
- Concrete & recyclable marker posts
- 980mm indicator posts
- 1230mm recyclable indicator post

Accessories

- Rivet gun
- Barb & Rivets
- Street furniture kit
- Marker post driver
- Note: complete kits available in one package





Concrete & Recyclable Post

