



**Metal seated Wedge Gate Valve  
With flanged integral by pass  
To BS5163 – 2004  
350 to 600mm  
WRAS Approved  
Epoxy coating**

**Flanges to BS EN 1092-2 table 9 PN16  
BS4504 PN16**

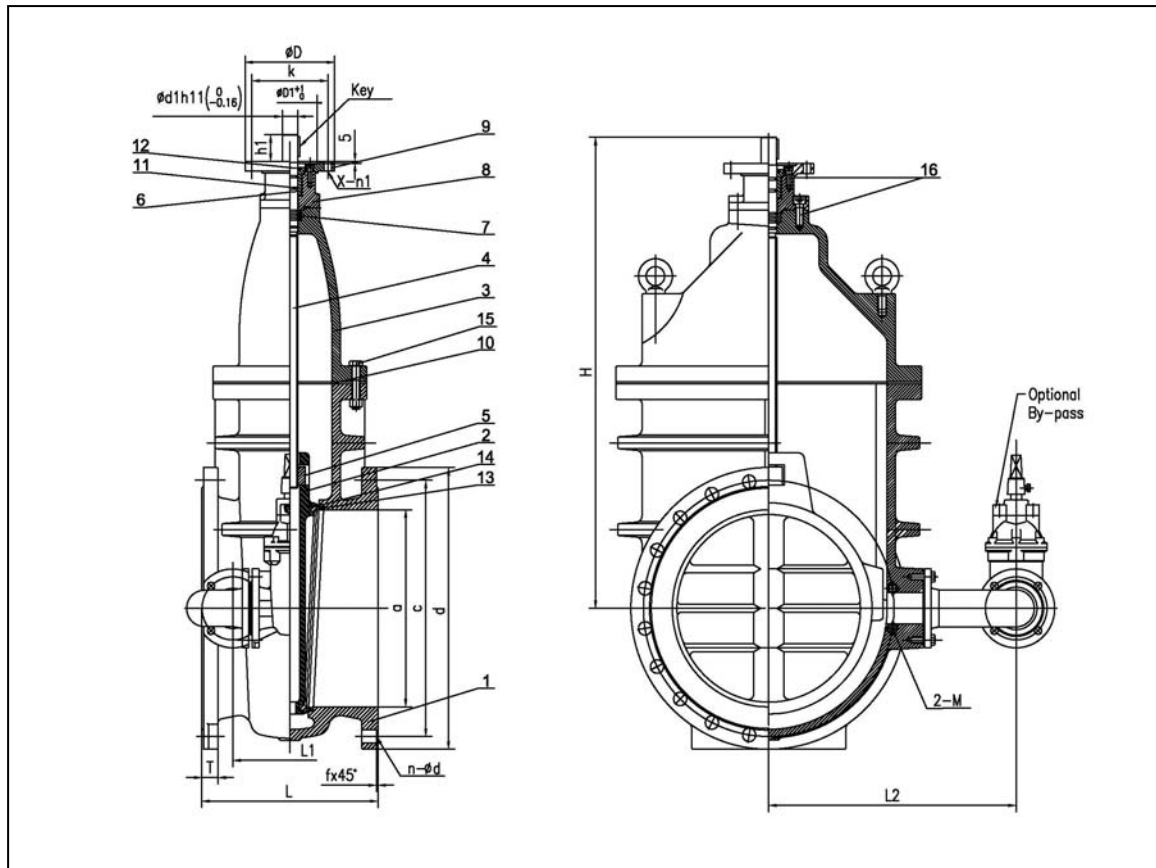
**Accessories**

|               |                        |
|---------------|------------------------|
| Stem Cap      | Extension spindle      |
| Handwheel     | Electric Actuation     |
| Bevel Gearing | Anti clockwise closure |
| Spur Gearing  |                        |

**Materials**

|                        |                 |                 |
|------------------------|-----------------|-----------------|
| 1 Body                 | Ductile Iron    | EN-GLS-500-7    |
| 2 Wedge                | Ductile Iron    | EN-GLS-500-7    |
| 3 Bonnet               | Ductile Iron    | EN-GLS-500-7    |
| 4 Stem                 | Stainless Steel | DIN 10088-3     |
| 5 Stem nut             | Bronze          | BS EN 1982 491K |
| 6 Holding ring         | Brass           | ZHMN58-C        |
| 7 Sealing ring         | Brass           | ZHMN58-C        |
| 8 Gland                | Ductile Iron    | EN-GLS-500-7    |
| 9 Mount flange         | Ductile Iron    | EN-GLS-500-7    |
| 10 Bonnet gasket       | EPDM            | Commercial      |
| 11 O ring              | EPDM            | Commercial      |
| 12 Dust Ring           | EPDM            | Commercial      |
| 13 Body seat ring      | Bronze          | BS EN 1982 491K |
| 14 Wedge seat ring     | Bronze          | BS EN 1982 491K |
| 15 Bonnet bolts / nuts | Stainless Steel | Gr 304          |
| 16 Cap screws          | Stainless Steel | Gr 304          |

## Metal seated Wedge Gate Valve to BS5163 – 350 to 600mm – PN16



| size | Approx kgs | Dimensions mm |     |     |      |   |     |      | Optional By-pass details |     |     | Flange drill details |
|------|------------|---------------|-----|-----|------|---|-----|------|--------------------------|-----|-----|----------------------|
|      |            | a             | c   | d   | T    | f | L   | H    | dia                      | L1  | L2  | n-d / 2-M            |
| 350  | 355        | 350           | 470 | 520 | 26.5 | 4 | 381 | 845  | 50                       | 244 | 500 | 14-28Ø / 2-M24       |
| 400  | 485        | 400           | 525 | 580 | 28   | 4 | 406 | 1020 | 50                       | 268 | 535 | 14-31Ø / 2-M27       |
| 450  | 540        | 450           | 585 | 640 | 30   | 4 | 432 | 1150 | 80                       | 271 | 595 | 18-31Ø / 2-M27       |
| 500  | 630        | 500           | 650 | 715 | 31.5 | 4 | 457 | 1220 | 80                       | 295 | 642 | 18-34Ø / 2-M30       |
| 600  | 945        | 600           | 770 | 840 | 36   | 5 | 508 | 1370 | 80                       | 345 | 690 | 18-37Ø / 2-M33       |

Gate Valves should be installed in the vertical position as shown on the drawing above and are designed as pipeline isolation valves, they are not recommended as suitable for throttling duties

| Manual operation |         |       | Operating torque<br>Clean water - differential |        |        | Operator – Actuator |     |     |     |         |    |    |        |
|------------------|---------|-------|--|--------|--------|---------------------|-----|-----|-----|---------|----|----|--------|
| size             | H/wheel | turns | 6 bar  | 10 bar | 16 bar | ISO Flange details  |     |     |     |         |    |    |        |
|                  |         |       |  |        |        | ISO                 | ØD  | k   | D1  | x-n     | d1 | h1 | key    |
| 350              | 500 Ø   | 32    | TBA  | TBA    | TBA    | F16                 | 210 | 165 | 130 | 4 - Ø23 | 40 | 65 | 12 X 8 |
| 400              | 560 Ø   | 36.5  | TBA  | TBA    | TBA    |                     |     |     |     |         |    |    |        |
| 450              | 560 Ø   | 40.5  | TBA  | TBA    | TBA    | F25                 | 300 | 254 | 200 | 8 - Ø19 | 40 | 65 | 12 x 8 |
| 500              | 650 Ø   | 45    | TBA  | TBA    | TBA    |                     |     |     |     |         |    |    |        |
| 600              | 650 Ø   | 53    | TBA  | TBA    | TBA    |                     |     |     |     |         |    |    |        |

GA VALVES SALES LTD  
P.O.BOX 5  
BRIGHOUSE  
WEST YORKSHIRE  
HD6 3TN

TEL: 01484 711983  
FAX: 01484 719848  
EMAIL: [sales@gavalves.co.uk](mailto:sales@gavalves.co.uk)  
WEB: [www.gavalves.co.uk](http://www.gavalves.co.uk)