

DUCTILE IRON CHECK VALVE EN12 334:2001

SUPERCEDES BS 5153



C01



C02

FLANGES TO EN 1092-2: 1997 PN16

Use:

Potable Water
Waste Water
Sewage

Tests:

Seat: 1.1 x PN
Body: 1.5 x PN
Temperature range: -10°C to 70°C
(Insulate at 0°C and below)

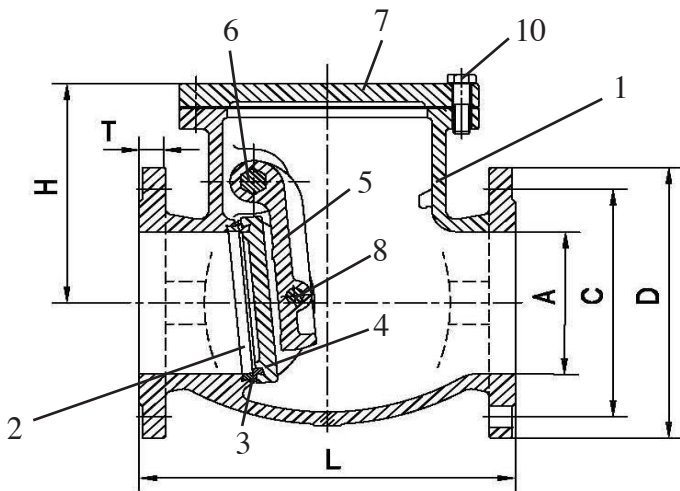
Accessories:

Lever & Weight
Proximity Switch
Guard - Coated

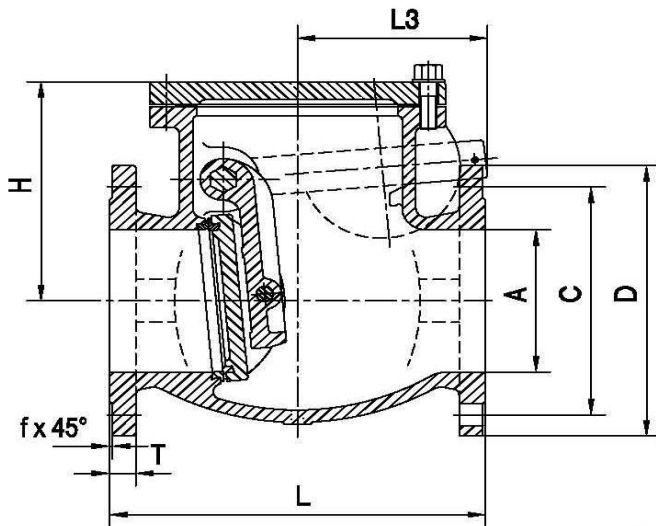
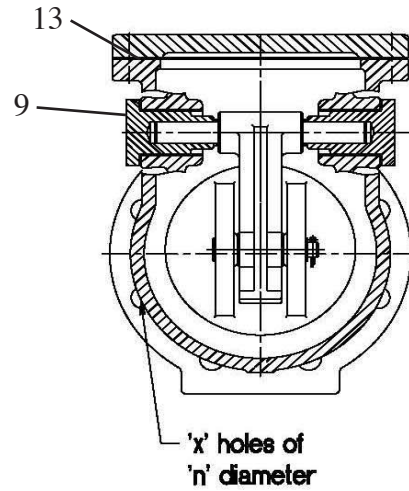
Materials:

1 Body	Ductile Iron	BSEN 500 7
2 Body Seat Ring	Bronze	BSEN 1982 CC 491K
3 Disc Seat Ring	Bronze	BSEN 1982 CC 491K
4 Disc	Ductile Iron	BSEN 500 7
5 Hinge	DN50-150 BS1400 LG2	DN200-400 BS1452 Gr 220
6 Shaft	Stainless Steel	431S29
7 Cover	Ductile Iron	BSEN 500 7
8 Disc Pin	Stainless Steel	431S29
9 Bearing	Bronze	BSEN 1982 CC 491K
10 Bolting	Stainless Steel	GR304
11 Lever	Steel	
12 Seals	EPDM rubber	Commercial
13 Bonnet Gasket	EPDM rubber	Commercial

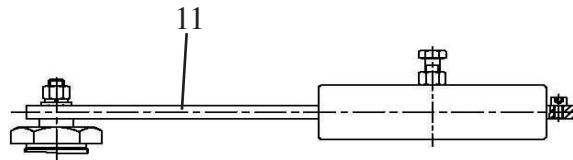
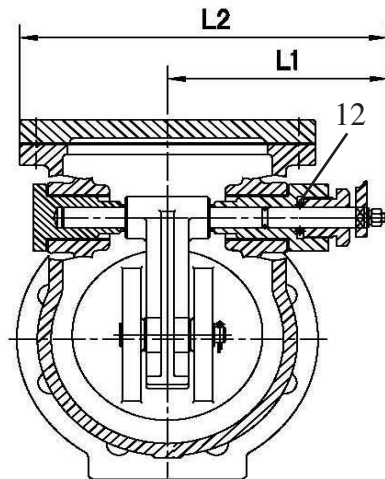
DUCTILE IRON SEATED CHECK VALVE EN12 334:2001



STANDARD VALVE FIGURE C01



LEVER & WEIGHT VALVE FIGURE C02



Dimensions in millimetres

size	A	C	D	T	F	L	x-n	H	L1	L2	L3	kgs CO1	Kgs CO2
50	50	125	165	20	3	203	4-Ø19	135	127	210	110	14.5	15
65	65	145	185	20	3	216	4-Ø19	148	130	220	105	17.5	18.5
80	80	160	200	22	3	241	8-Ø19	178	160	265	120	26	28
100	100	180	220	24	3	292	8-Ø19	195	170	280	148	31.5	34
125	125	210	250	26	3	330	8-Ø19	210	201	335	148	49	56
150	150	240	285	26	3	356	8-Ø23	250	220	366	175	68	77
200	200	295	340	30	3	495	12-Ø23	300	260	395	245	117	129
250	250	355	405	32	3	622	12-Ø27	335	305	520	285	173	189
300	300	410	460	32	4	698	12-Ø27	365	345	597	325	264	284
350	350	470	520	36	4	787	16-Ø27	415	425	730	350	consult GA Valves	
400	400	525	580	38	4	914	16-Ø31	455	450	792	350	consult GA Valves	