



**Double Flanged
Butterfly Valve
To BS 5155**

**Mounting between flanges to BS4504 PN16
Other flanges by request**

Accessories

**Geared operation
Actuator mount - ISO 5211**

Materials	Standard	options
Body	Ductile Iron	CF8M, CS
Seat	EPDM Rubber	NBR, PTFE, Viton
Disc	St Steel CF8	CF8M, Bronze, Ductile iron
Disc Pin	St Steel 316 - A4	St Steel 304 - A2
Stem	St Steel 316 - A4	St Steel 304 - A2, St Steel 418
O Ring Seal	EPDM Rubber	NBR, F4
Bushing	Bronze	PTFE
Lever	Cast Iron	

Use:- Isolation and throttling duties on clean water systems up to 60 Deg C

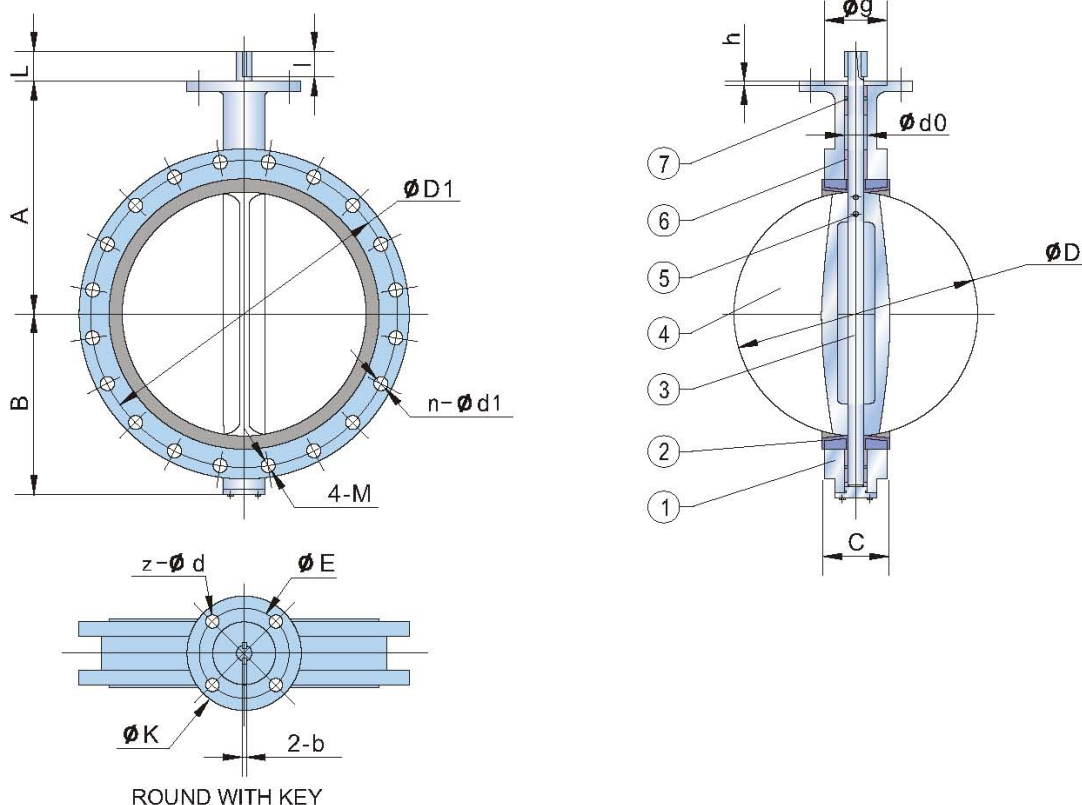
Pressure Tests

Seat :- 17.6 barg

Shell :- 24 barg

**PRODUCT DATA SHEET
BFV 9.3**

U TYPE



STANDARD MATERIALS OF MAIN PARTS

ITEM	PART NAME	MATERIAL
1	Body	Cast Iron, Ductile Iron, Carbon Steel, Stainless Steel
2	Seat	NBR, EPDM, Viton, Neoprene, Hypalon, Silicon
3	Shaft	Stainless Steel 410, 316, 17-4PH
4	Disc	Ductile Iron+Ni, CF8, CF8M, Bronze
5	Pin	Stainless Steel
6	Bushing	PTFE, Bronze
7	O Ring	NBR, EPDM

DIMENSIONS AND WEIGHTS

SIZE		A	B	C	D	L	d0	KEY 2-bXl	UPPER FLANGE				ANSI 150			DIN PN10/16			Weight (kg)	
in	DN							K	E	z-d	g	h	D1	n-d1	4-M	D1	n-d1	4-M		
16	400	400	309	86.5	389.6	51.2	33.15	1-10X50	197	140	4-18	100	4	540	12-29	4-1"	515/525	12-27/30	4-M24/M27	83
18	450	422	328	105.6	440.5	51.2	38	1-10X50	197	140	4-18	100	4	578	12-32	4-1 1/8"	565/585	16-27/30	4-M24/M27	120
20	500	480	361	131.8	491.6	64.2	41.15	1-10X50	197	140	4-18	100	4	635	16-32	4-1 1/8"	620/650	16-27/33	4-M24/M30	170
24	600	562	459	152	592.5	70.2	50.65	2-18X60	276	165	4-23	130	5	749.5	16-35	4-1 1/4"	725/770	16-30/36	4-M27/M33	245
28	700	624	520	163	695	66	63.35	2-18X63	300	254	8-18	200	5.5	863.5	24-35	4-1 1/4"	840	20-30/36	4-M27/M33	406
30	750	660	539	165	744.3	66	63.35	2-18X63	300	254	8-18	200	5.5	914.5	24-35	4-1 1/4"	-	-	-	426
32	800	672	591	188	794.7	66	63.35	2-18X63	300	254	8-18	200	5.5	978	24-41	4-1 1/2"	950	20-33/39	4-M30/M36	566
36	900	720	656	203	864.7	118	75	2-20X100	300	254	8-18	200	5.5	1086	28-41	4-1 1/2"	1050	24-33/39	4-M30/M36	728
40	1000	800	721	216	965	142	85	2-22X125	300	254	8-18	200	5.5	1200	32-41	4-1 1/2"	1160/1170	24-36/42	4-M33/M39	815
42	1050	858	757	251	1030.5	150	95	2-25X125	300	254	8-18	200	5.5	1257.5	32-41	4-1 1/2"	-	-	-	976
44	1100	886	792	251	1068	150	95	2-25X125	300	254	8-18	200	5.5	1314.5	36-41	4-1 1/2"	-	-	-	1272
48	1200	941	844	276	1161.2	150	105	2-28X125	350	298	8-22	230	5.5	1422.5	40-41	4-1 1/2"	1380/1390	28-39/48	4-M36/M45	1529

GA VALVES SALES LTD
P.O.BOX 5
BRIGHOUSE
WEST YORKSHIRE
HD6 3UD

TEL: 01484 711983
FAX: 01484 719848
EMAIL: sales@gavalves.co.uk
WEB: www.gavalves.co.uk