

## HiVent Single Small Orifice Air Release Valve

Fig.3800



### Function & features:

- During normal working of the main the valve releases the air which accumulates under pressure. With the main in operation, the float is normally against its seat. As air enters the body the water level is depressed until a level is reached when the float drops from its seat, which allows air to escape. The consequent rise in water level returns the float to its seat.
- Efficient low pressure sealing at 0.3bar.
- Lightweight design.
- WRAS approved.
- 2.3mm (4.1mm<sup>2</sup>) orifice.

### Service conditions:

- Potable water, filtered water.
- Working pressures 0.2 to 25 bar.
- Temperature range 0°C to +70°C (insulate 0°C and below).

### Tests:

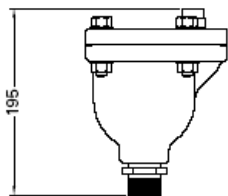
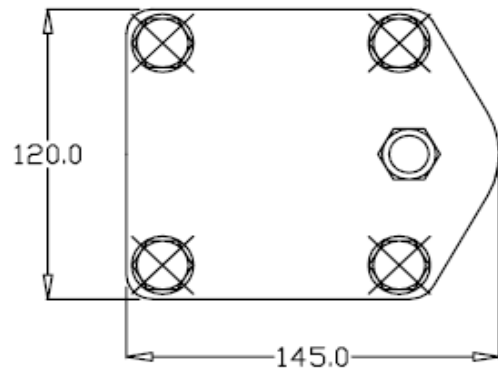
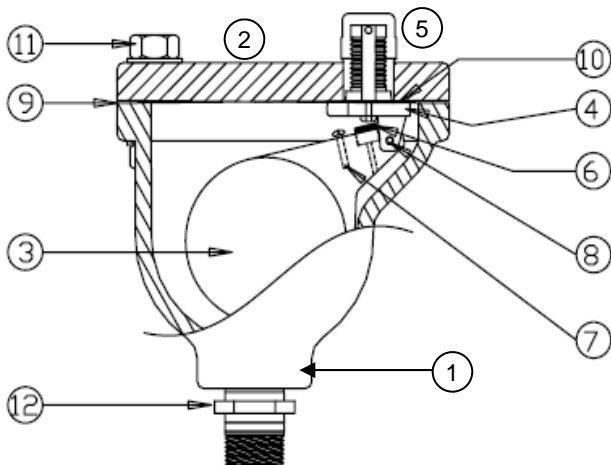
- Seat 1.1 x PN                      Body 1.5 x PN

### Accessories / Options:

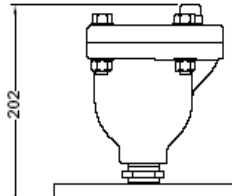
- Various materials available for sea water or corrosive applications.
- NPT threaded.
- Flanged inlet with various drillings.
- Screwed outlet facility.
- Viton rubber.
- Metal float assembly options.
- 2.9mm & 3.75mm orifice sizes available.
- Inflow / outflow check device.
- Isolating valve.

### Materials:

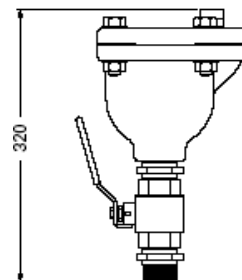
No.	Description	Material
1.	Body	Ductile iron ENGJS-500-7
2.	Cover	Ductile iron ENGJS-500-7
3.	Float	ABS Plastic
4.	Orifice plug	Glass filled nylon 6
5.	Retaining nut	Glass filled nylon 6
6.	Orifice seal	EPDM rubber
7.	Stop screw	316 Stainless steel
8.	Hinge pin	316 Stainless steel
9.	Body joint	EPDM rubber
10.	Plug joint	EPDM rubber
11.	Bolt & nut	304 Stainless steel
12.	Nipple	304 Stainless steel



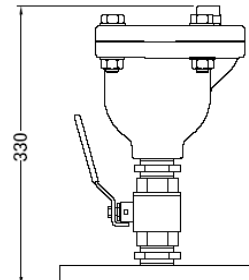
3800-025 - 5kg



3801-025 - 10kg



3802-025 - 6.5kg

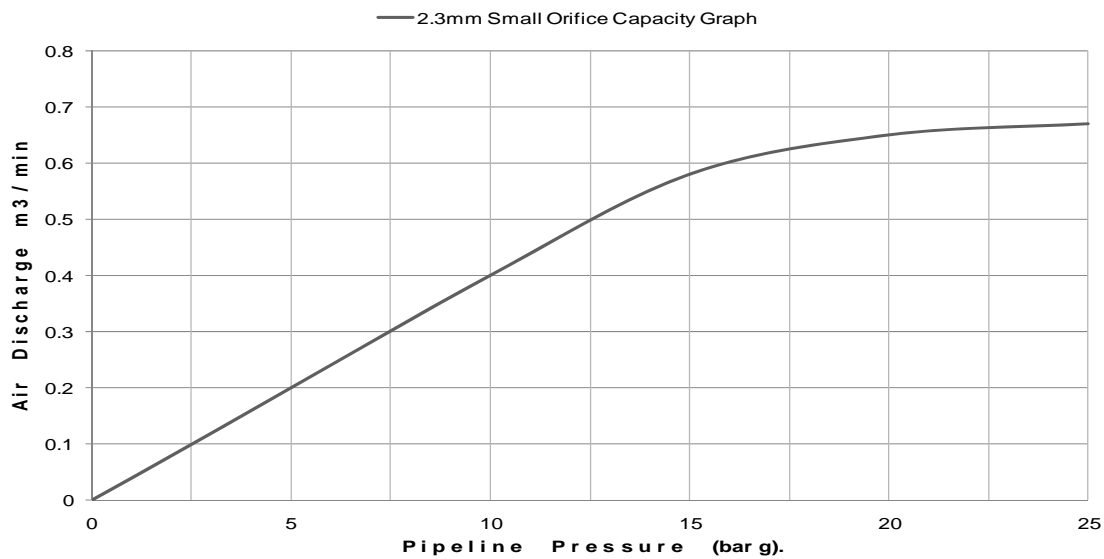


3803-025 - 11.5kg

**Model figure numbers:**

- Fig.3800 – Standard valve 1" BSP inlet.
- Fig.3801 – Inlet flange.
- Fig.3802 – Isolating ball valve.
- Fig.3803 – Isolating ball valve & inlet flange
- Suffix 'P' for screwed outlet.

Dimensions in mm



For use with GA Valves fig.3800 HiVent automatic air release valves

GA VALVES SALES LTD  
 JOHNSTONE HOUSE  
 BIRDS ROYD LANE  
 BRIGHOUSE  
 WEST YORKSHIRE, HD6 3UD



TEL: 01484 711983  
 FAX: 01484 719848  
 EMAIL: sales@gavalves.co.uk  
 WEB: www.gavalves.co.uk